

The logo consists of a solid red circle with the word "marco" written in white, lowercase, sans-serif font in the center.

marco

INNOVATION

22.06.16

TREND AT WOC

JET6 - 2014

- First recirculating bulk brewer
- Grind-on-demand
- Touch-screen controls
- Setup and Operator menus
- 2L – 6L precise brews
- 2.8kW and 5.6kW versions
- JET6: up to 35L/hour
- JET6 Twin: up to 70L/hour



SP9 - 2015

- **First recirculating single-cup brewer**
- **Cup to 750ml adjustable**
- **Automatic blooming and pulse-brewing**
- **Operator controls for:**
 - Temperature
 - Volume
 - Brew time
- **Single and dual brewer versions**
- **Kalita, V60, Chemex or French Press**
- **Constant water flow available for tea**
- **Operator choice of spray-heads**



SP9 – Font Option

- Single button
- Constant water flow
- Used instead of second brew-head
- On-counter or in-counter drip-tray options
- Drip-tray sold as separate item



2016

A new generation of high precision,
multi-temperature hot water boilers



MIX





MIX T8

- Tap dispense
- Vacuum tank
- Super efficiency
- Integrated filter
- 8L immediately
- plus 0.5L/minute
- Removable drip-tray



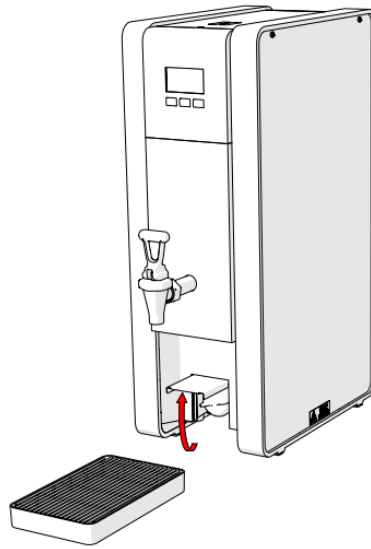
MIX PB3

- 3 Temperatures
- 3 Volumes
- Push-and-release
- Push-and-hold
- Vacuum tank
- Super efficiency
- 3L immediately
- plus 0.5L/minute
- Removable drip-tray

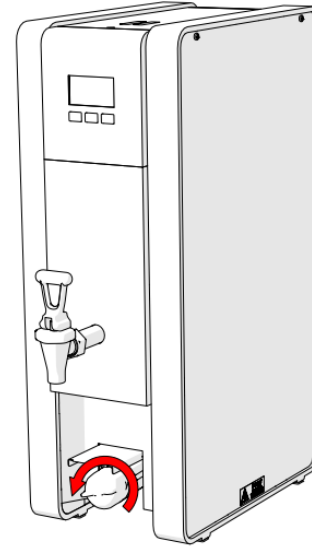
MIX T8 Filter Removal

- Standard 3M filter
- Will be supplied by Marco

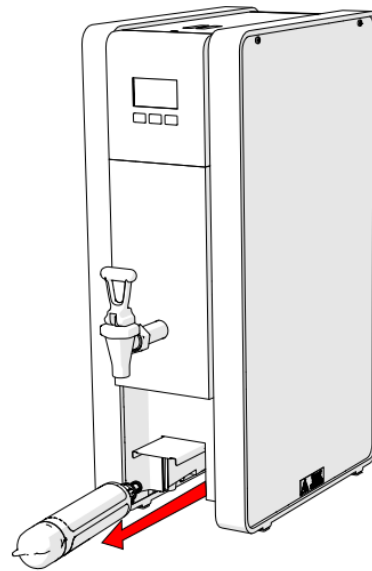
1.



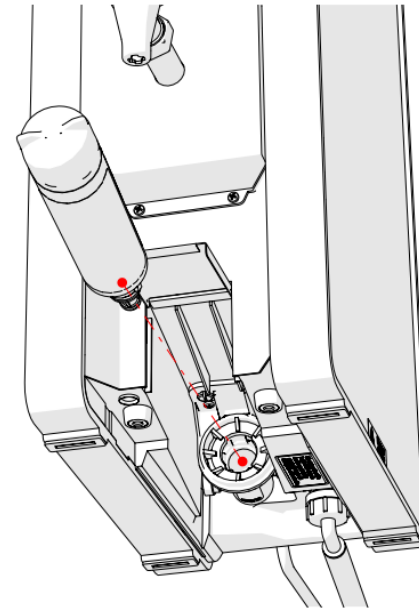
2.



3.



4.



MIX UC3

- 3 Temperatures
- 3 Volumes
- Push-and-release
- Push-and-hold
- Vacuum tank
- Super efficiency
- 3L immediately
- plus 0.5L/minute
- Reversible drip-tray



MIX

AVAILABILITY and PRICING

- Final engineering prototypes already built
 - Used extensively for brewing at WOC-2016 in Dublin
 - Initial pilot build in July/August 2016
 - BETA-testing in Europe: September/October 2016
 - Distributor orders accepted: **SEPTEMBER 2016**
 - First deliveries: **JANUARY 2017**
-
- **PRICING:** expected to be approximately 20% higher than the equivalent Ecoboiler





MIX

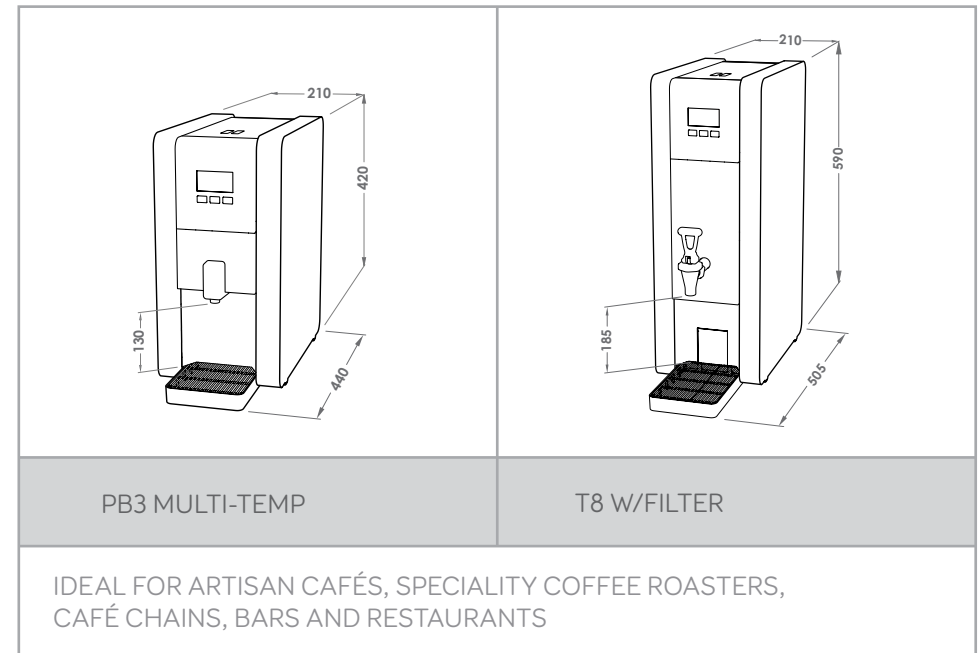
NEXT GENERATION WATER BOILERS



FEATURES/

- Next generation energy efficiency.
- Vacuum insulation.
- Multi-temp on selected models.
- Built-in water filter on selected models.
- Accurate programmable portion dispenses.
- Counter-top and under-counter.
- Autofill/plumbed.
- Modern stylish fonts.
- Drip tray kit for counter-top or in-counter installation.

DIMENSIONS/



SPECS/OPTIONS

DESCRIPTION	ORDER CODE	IMMEDIATE DRAW OFF (L)	OUTPUT PER HOUR (L)	CUPS PER HOUR	POWER @ 230V	WEIGHT (KG)
MIX PB3 Multi-temp	1000870	3	28	156	2.8kW	11
MIX T8 with filter	1000871	8	28	156	2.8kW	14

DESCRIPTION	DIMENSIONS (DXWXHmm)	T (mm)	PACKAGING (DXWXHmm)	QTY PER PALLET	PLUMBING REQUIREMENTS
MIX PB3 Multi-temp	440x210x420	130	450x290x540	24	3/4" BSP
MIX T8 with filter	505x210x590	185	550x290x700	18	3/4" BSP

FOR CUSTOMER CARE/SPARES & SERVICE VISIT

WWW.MARCOBEVERAGESYSTEMS.COM



MIX

NEXT GENERATION
UNDERCOUNTER
BOILERS & FONTS

UC3 MULTI-TEMP

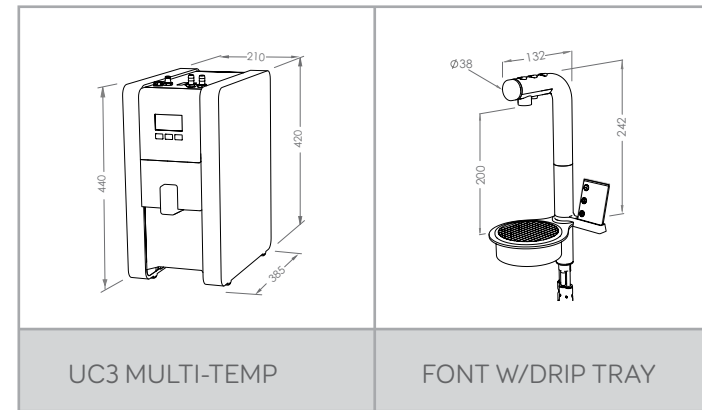
FONT W/DRIP TRAY



FEATURES/

- Next generation energy efficiency.
- Vacuum insulation.
- Multi-temp on selected models.
- Built-in water filter on selected models.
- Accurate programmable portion dispenses.
- Counter-top and under-counter.
- Autofill/plumbed.
- Modern stylish fonts.
- Drip tray kit for counter-top or in-counter installation.

DIMENSIONS/



IDEAL FOR
ARTISAN CAFÉS,
SPECIALITY
COFFEE
ROASTERS,
CAFÉ CHAINS,
BARS AND
RESTAURANTS

SPECS/OPTIONS

DESCRIPTION	ORDER CODE	IMMEDIATE DRAW OFF (L)	OUTPUT PER HOUR (L)	CUPS PER HOUR	POWER @ 230V	WEIGHT (KG)
MIX UC3 Multi-temp	1000880	3	28	156	2.8kW	11
MIX Font Single Button**	1000877	-	-	-	-	2.5
MIX Font Three Button**	1000878	-	-	-	-	2.5
MIX Font Drip Tray	1000879	-	-	-	-	1.5

DESCRIPTION	DIMENSIONS (DxWxHmm)	T (mm)	PACKAGING (DxWxHmm)	QTY PER PALLET	PLUMBING REQUIREMENTS
MIX UC3 Multi-temp	385x210x440	-	450x290x540	24	3/4" BSP
MIX Font Single Button**	132x38x242	166/198*	290x570x215	30	-
MIX Font Three Button**	132x38x242	166/198*	290x570x215	30	-
MIX Font Drip Tray	170x125x35	-	-	-	-

*Surface mounted drip tray/inset mounted drip tray

**Font and drip tray sold individually

FOR CUSTOMER CARE/SPARES & SERVICE VISIT

WWW.MARCOBEVERAGESYSTEMS.COM